

SOLVIT™
PRODUCTS
HoundAbout™ Pet Stroller
Care & Use Guide

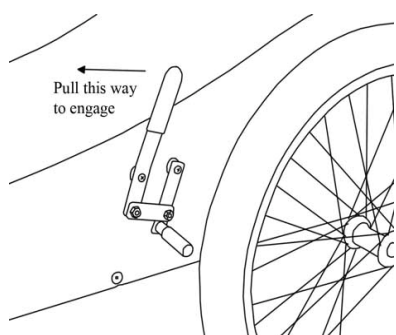
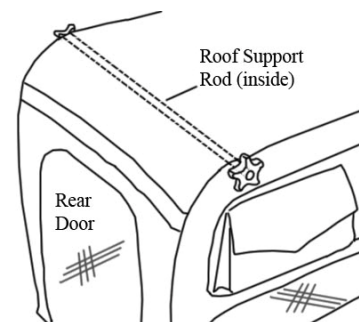
Thank you for your purchase of the Solvit Products HoundAbout™ Pet Stroller. The stroller assembles in about 20-30 minutes, using a Phillips screwdriver and an adjustable wrench (or 9mm and 10mm sizes).

Assembly: The package contains: one partially assembled main cabin; two side wheels, one front wheel assembly; one quick release pin; one handlebar; one handlebar mounting tube kit; one roof support rod, two star knobs, one cup holder kit; one parking brake kit; one adjustable leash; and one cushion. If any parts are missing, contact Solvit for prompt replacement.

Step 1: Attach large side wheels to cabin: Insert the spindle of each large wheel into either side of the axle. When inserted, the spring lock mechanism on the underside of the axle will make an audible “click”. Pull firmly to make sure wheel is properly installed. To remove, depress the spring lock mechanism and withdraw the wheel.

Step 2: Attach the front wheel assembly: Slide the short square tube on the front wheel assembly over the matching tube at the lower front edge of the stroller cabin. Align the holes in each tube, install the “quick release” pin and tighten fully.

Step 3: The sides of the cabin are held in place by means of a roof support rod and two black plastic “star knobs”. With the wheels resting on the ground, rotate one side panel into a vertical orientation. While holding the support rod in position inside the trailer, insert one star knob into the opening in the fabric shell, through the hole in the frame and into the threaded end of the rod. Press firmly and rotate the star knob to engage the threads. Repeat with the other star knob on the other side of the trailer, and fully tighten both star knobs.

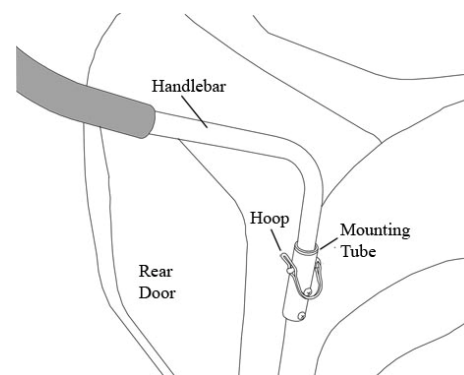


Step 4: Install the parking brake. This is attached on the lower left side of the cabin, in front of the wheel. Slide a white plastic washer on one of the screws, then starting from inside the cabin, insert screw through one set of holes in the frame, then through the hole in the fabric. Add one of the black washers with the curved side facing toward the cabin. Now slide the brake assembly over the screw and secure with the 9mm nut (hand-tight only). Repeat with the second screw and securely tighten both 9mm nuts. The parking brake is engaged by moving the brake lever to the forward position. Hint: if the brake seems difficult to operate, loosen the mounting screws one-quarter turn and test again.

(The steps that follow are made easier by engaging the parking brake now.)

Step 5: Install the cushion: The four hook-and-loop straps on the cushion should “loop” around the interior frame tubes and “hook” back onto each other. When installed correctly, the cushion should cover all tubing.

Step 6: Attach the handlebar: The two handlebar mounting tubes attach to the frame on the rear panel. With the open end of the mounting tube facing up, align the holes on the tube to the holes on the frame. Insert screws through the tube and holes in the frame and attach 10mm nuts from the inside of the cabin. Tighten firmly using a screwdriver and wrench. Slide the ends of the handlebars into the mounting tubes, align the holes, and insert the lock pins with the head of the lock pins facing forward. Secure the wire hoop on each lock pin.



Step 7: Install the cup holder: The large clamp fits over the cushioned section of the handlebar; the small clamp fits over the non-cushioned section. Position the appropriate clamp and attach the cup holder with the nut and screw. Adjust tightness so the cup holder does not “tilt” while in use.

Loading and unloading pets: Load and unload pets only through the rear door, with the front door closed. With the pet inside the stroller, attach one end of the safety leash to the pet’s collar and the other end to one of the D-rings located inside the stroller. Adjust the length of the leash so the pet cannot exit through the front window when it is open. Always close the rear door before strolling or jogging. To reach inside the cabin while strolling, we suggest using the zippered, sunroof window.

Additional Features: While loading your dog or accessing the interior of the cabin, the rear door can be kept in the open position by connecting the hook tape strip on the inside bottom of the door to the loop tape strip located on the sunroof, above the rear pocket. **Always keep this door closed while riding.**

The front of the stroller includes a vinyl windscreen door and a breathable mesh door. The stroller can be used with one, both or none of these doors open. To open the vinyl door only, roll the door into a tube shape so the loop-tape on the inside of the door connects to the hook-tape on the top of the cabin. To ride with both doors open, roll them up together into a tube shape and connect the hook-and-loop-tapes. Make sure the safety leash is adjusted so the pet cannot exit through the front door opening. There is also a sun roof at the top of the cabin. It can be held in the open position by unzipping it, rolling it forward and securing it with the hook-and-loop tape

The stroller is equipped with a general storage pocket on the left side, an insulated bottle pocket on the right side, a specialized pocket on the upper rear panel for holding sunglasses, cell phone, MP3 player, etc., and a hidden security pocket under the rear panel. The security pocket has two zipper pulls and can be locked with a small pad lock (not included).

As an added convenience, the stroller includes an external leash point on the lower back frame. Only use this leash point when the stroller is safely parked with the brake engaged.

Cleaning: The cabin fabric and windscreen can be cleaned with a damp cloth or sponge. The interior cushion is washable in a commercial top loading machine. Use mild detergent, cold water, and line dry.

Safety Guidelines:

- The stroller is intended to carry pets only. No human passengers!
- To prevent accidental rollaways, apply the parking brake anytime the stroller is unattended.
- Always travel with the rear door closed. When moving, your dog should always be secured with the safety leash adjusted to the correct length.
- Do not exceed the recommended weight capacity. Check tire inflation before every ride.

Warranty: The HoundAbout Stroller is warranted to be free from defects in materials or workmanship for the lifetime of the product. This warranty does not apply to normal wear or damage from misuse, abuse, neglect, or accident. This warranty is not transferable. Please retain your original sales receipt. For warranty service, contact Solvit at warranty@solvitproducts.com, or 866-676-5848.

HoundAbout™ Pet Stroller
Parts Guide
(parts pictured not to scale)



Front wheel assembly



Quick release pin



Handlebar mounting tube kit with screws, 10mm nuts and lock pins



Roof support rod



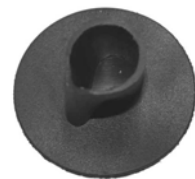
Two star knobs



Cup holder kit with small and large clamps



Parking brake with screws, black rubber spacers, white washers and 9mm nuts



Two axle protectors – for packing only. Discard.