

Read all instructions BEFORE assembly and USE of product.
KEEP INSTRUCTIONS FOR FUTURE USE.



PET GEAR™



For Pets Only.

Not intended to be used as a restraining device for aggressive or dangerous animals that dig, chew or paw aggressively. Do not leave your pet unattended for long periods of time.

PET GEAR is not liable for any damage caused by aggressive, destructive, immature or untrained animals.

Not suitable for airline travel.

OWNER'S MANUAL

FOR PETS ONLY.



Failure to follow these warnings and the instructions could result in serious injury or death.

Setting Up the Pet Play Area

- THIS PRODUCT REQUIRES ADULT ASSEMBLY.
- Keep fingers clear of top corners during setup. Be sure the playard is completely set up before use. Check that the four top rails are completely latched, the center of the floor is pushed down, and the pad is flat. Always follow the instructions in the owner's manual to set up the playard.
- Before each use, inspect this product for damaged hardware, loose joints, missing parts or sharp edges. Do not use the playard if any parts are missing or broken. Call USA 1-877-752-9123 for replacement parts or owner's manual. Do not substitute parts.

Using the Pet Play Area

- The Pet Play Area is for playing or sleeping. When used for playing, never leave pet unattended and always keep pet in view. When used for sleeping, you must still provide the supervision necessary for the continued safety of your pet.
- Always keep the Pet Play Area away from hazards in the area that may injure your pet.
- DO NOT leave pet in product for prolonged periods of time. Not suitable for outdoor use.

Avoiding Suffocation Hazards

- Never use plastic shipping bags or other plastic film as pad covers not sold and intended for that purpose. They can cause suffocation.

This product is not intended for commercial use.

PARTS LIST

Check that you have all the parts shown **BEFORE** assembling your product. If any parts are missing, call Customer Service.

No tools required.



SETUP

Unpack Unit



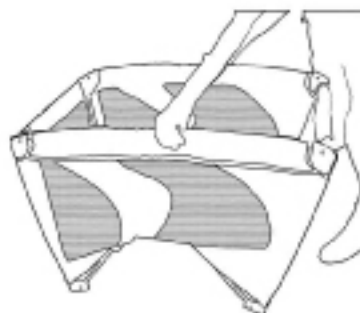
1

DO NOT push center down yet.

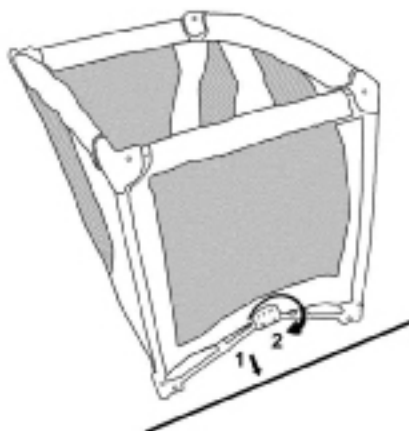


• **When setting up, lock rails BEFORE lowering secondary latch.** Be sure top rails have become rigid. If not, pull up again until they are rigid. If top rails do not latch, push the bottom of the legs toward each other.

2



3



Engage secondary latch by pushing tubes down to the floor and turning secondary latch.

Repeat this so all four sides have the secondary lock engaged.

4



Insert tray, then insert pad.

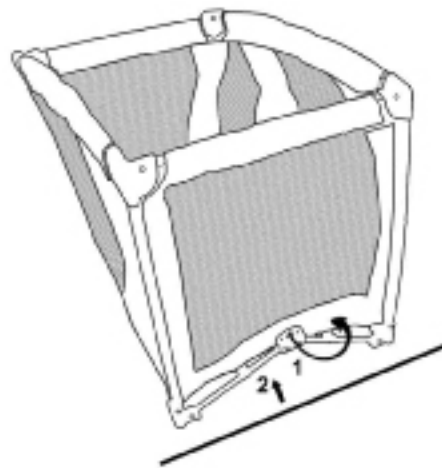
TO FOLD

1



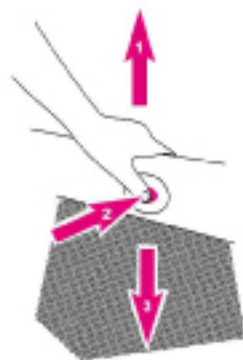
Remove tray and pad.

2



DO NOT unlock top rails yet.
Release secondary latch.
Lift up on tubes to create a "V" shape on all four sides.

3

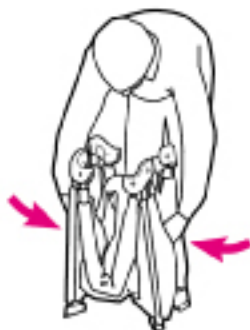


Secondary latch must be released and tubes pulled up to create a "V" shape.

1. Lift up slightly on the top rail.
2. Push in on the button located on the side of the top rail to release the two tubes.
3. Push down.

- If top rails do not unlatch, **DO NOT FORCE**. Push the bottom of the legs toward each other.
- **Both** tubes must be released for the top rail to fold.

4



Do not force. If unit will not fold, look for a partially latched top rail. Squeeze the latch button to release the rail.

5



Cover unit.

CARE AND MAINTENANCE

FROM TIME TO TIME CHECK YOUR PET PLAY AREA for worn parts, torn material or stitching. Replace or repair the parts as needed. Use only

PET GEAR™ replacement parts.

TO CLEAN PET PLAY AREA, use only household soap or detergent and warm water.

TO WASH CARRY BAG, machine wash in cold water on delicate cycle and drip-dry. NO BLEACH.

REPLACEMENT PARTS

Please have your model number ready before calling.

Return the form with payment to:
Pet Gear
West Rutland, VT 05777

www.petgearinc.com



Questions? Telephone us at:
1-877-752-9123